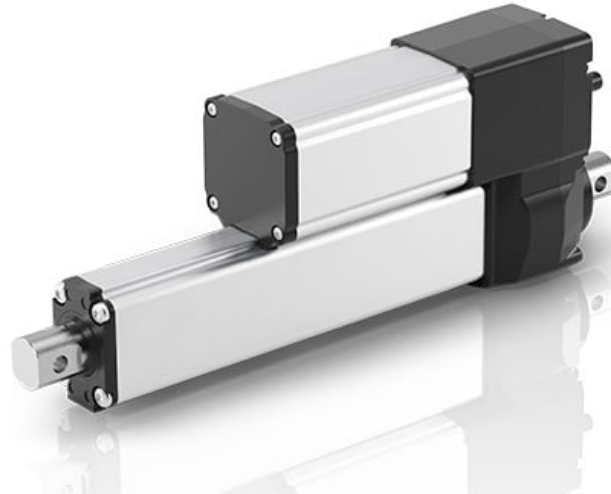


Linear drive for demanding applications



## Customer benefits

- Force up to 10,000 N
- Stroke length up to 1000 mm
- IP69K protection
- Speed up to 100 mm/s
- Robust construction
- Easy to install into existing systems
- Resistant to environmental influences
- UV resistance
- Operational safety in hot and cold areas: from -20 to +65 degrees
- Built-in controller
- Precision positioning
- Long life span

**Standard configurations****Performance data**

Load capacity	2000 N, 5000 N & 10,000 N
Adjustment speed	Min. 5 mm/s max. 100 mm/s
Stroke length	min. 100mm - max. 1000mm
Fitting dimension (B)	Stroke less than or equal to 399 = stroke + 200 mm Stroke greater than or equal to 400 = stroke + 250 mm
Duty cycle	30% 3 minutes / 7 minutes
Motor voltage	12 & 24 volt DC motor

**Components**

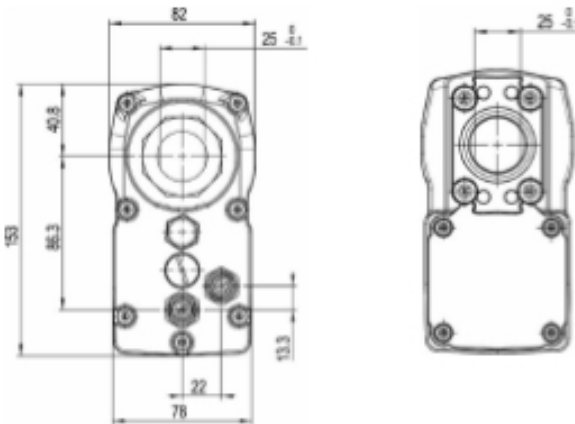
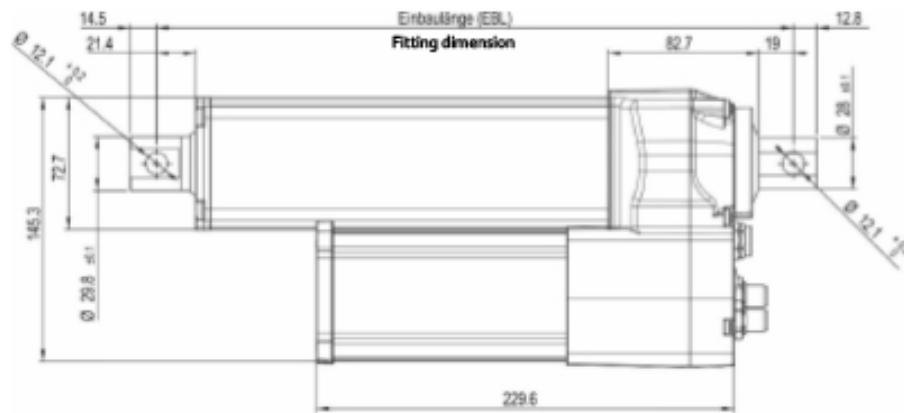
Limit switch	Via micro-switch
Stroke pipe clevis	Bore hole: 12.1 mm stainless steel
Gear clevis	Bore hole: 12.1 mm stainless steel
Stroke pipe	Stainless steel
Housing	Aluminium die-cast
Housing colour	Black 9005
Supply cable	5 m & 10 m

**Further data**

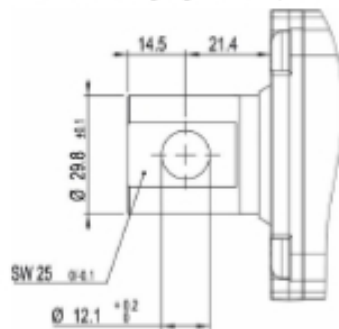
Protection type	Max. IP69K
Ambient temperature (business)	Minus 20 to +65 °C
Ambient temperature (storage / transport)	Minus 40 to +85°C
	Manual emergency actuation
	Salt spray and chemical tests have been completed successfully

**Extra configurations**

Position feedback	Digital positional Feedback (available from 2020)
	BUS (available from 2020)



Vordere Aufhängung/Front suspension:



Hintere Aufhängung/Rear suspension:

