

OKIN Microdrive 2: compact and powerful



Customer benefits

- Small and compact design with optimized performance
- Requires minimal space

Standard configurations

General data

Max. push force during adjustments	3000 N
Max. pull force during adjustments	1000 N
Max. adjustment speed with no load	35 mm/sec
Max. stroke length	350 (+/- 2 mm) mm
Installation dimensions	130 + stroke (+/- 2 mm) mm
Stroke pipe clevis	Hole: 10 mm Slot: 5 mm
Gear clevis	Hole: 10 mm Slot: 5 mm
Guiding profile	Aluminium
Housing colour	Black RAL 9005
Duty cycle	1/8 min
Duty cycle	10 %
Protection degree	IP20
Protection class	III
Relative air humidity	30 to 75 %
Ambient temperature	+10 to +40 °C
Motor voltage	Maintenance-free 24 V DC motors V DC
Limit cut-off	Micro-switch

Connection options

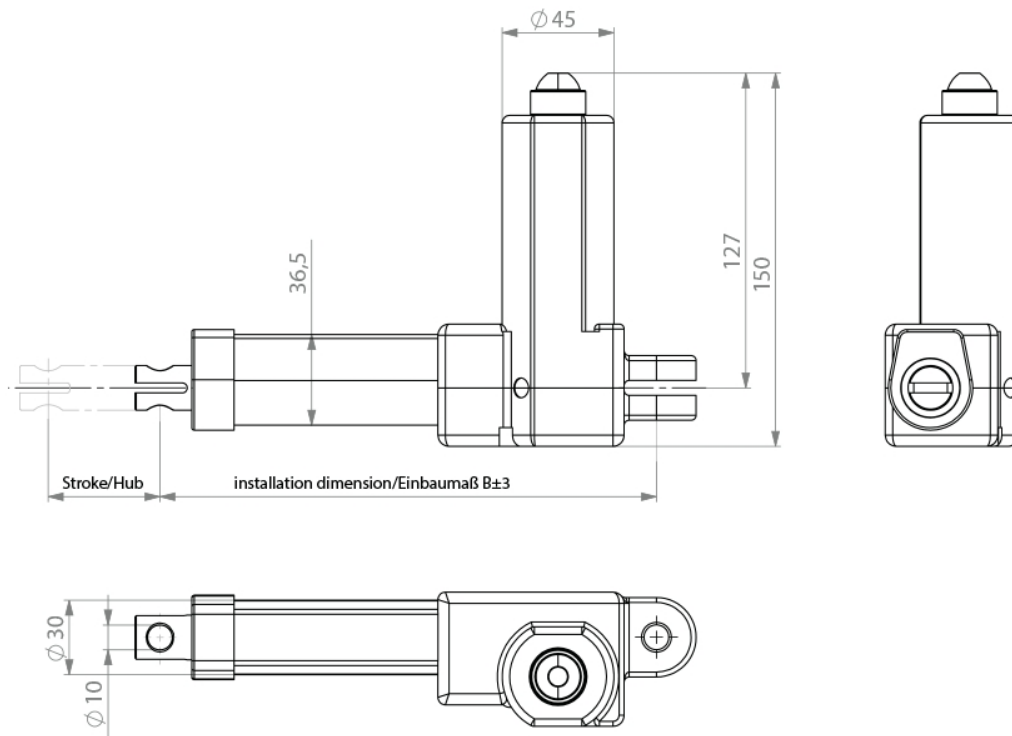
Components	Optional Hall sensor
Motor cable	Black, smooth and coiled
Certificates / Approvals	EN60335-1 IEC60335-1 EN55014-1 EN55014-2

MICRODRIVE 2



A Phoenix Mecano Brand

Page 3/3 - stand of 09/2020



Note: Responsibility for OKIN products when used for specific applications and for adherence to the appropriate guidelines, standards and laws is borne by the manufacturer of the complete system into which OKIN products are fitted. We accept no liability for the correctness.

DewertOkin GmbH • Weststraße 1 • 32278 Kirchlengern
Phone: +49 (0)52 23 / 9 79 -0 • Fax: +49 (0)52 23 / 7 51 82 • Email: info@okin.de • Internet: <http://www.okin.de>