



## Customer benefits

- Very powerful double drive
- Excellent mechanical stability
- Numerous configurable add-ons and options
- Efficient usage
- Built-in SMPS
- Battery-operated reset function using 9V battery
- Eco-design directive (power consumption < 0.5 W in standby mode)
- Electronic overload switch-off
- Pluggable mains power cord

## Standard configurations

### General data

Max. adjustment load per side	6500 N
Max. torque	468 Nm
Adjustment speed at 6500 N	3.2 mm/sec
Stroke length of back section	48 / 54 / 69 / 74 / 87 mm
Stroke length of leg section	48 / 54 / 69 / 74 / 87 mm
Fitting dimension, length	708 mm
Fitting dimension, height	105 mm
Fitting dimension, centre distance	581 +- 1 mm
Fitting dimension, spindle diameter	25 / 34 mm
Duty cycle	2/18 min
Duty cycle	10 %
Switching cycles, max./min	5/min
Protection degree	IP20
Protection class	II
Relative air humidity	20-95 %
Ambient temperature	0 to +40 °C
Mains power connection	100-240 V/AC
Safety	Electronic overload switch-off
Control	Direct / integrated RF/BT
Motor voltage	24 V DC
Motor	Maintenance-free

### Components

Limit cut-off	Micro-switch
Housing colour	Black RAL 9005
Mounting options	Adapter plate

### Connection options

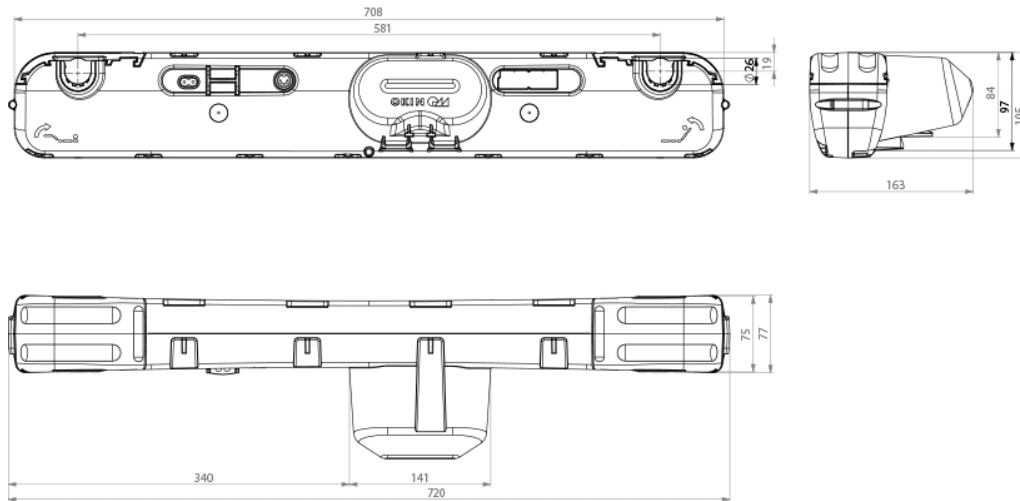
Components	Cable handset - Pluggable radio remote control (2.4 GHz bidirectional) - Pluggable Bluetooth® control unit for iOS and Android - Pluggable control unit (HE150) with radio wave, Bluetooth®, memo, massage and MFP port
------------	--

# OKIMAT 4 IPS



A Phoenix Mecano Brand

Page 3/3 - stand of 09/2020



Note: Responsibility for OKIN products when used for specific applications and for adherence to the appropriate guidelines, standards and laws is borne by the manufacturer of the complete system into which OKIN products are fitted. We accept no liability for the correctness.

DewertOkIn GmbH • Weststraße 1 • 32278 Kirchlengern  
Phone: +49 (0)52 23 / 9 79 -0 • Fax: +49 (0)52 23 / 7 51 82 • Email: [info@okin.de](mailto:info@okin.de) • Internet: <http://www.okin.de>